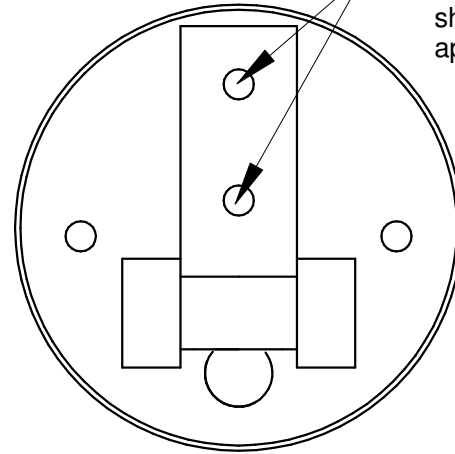
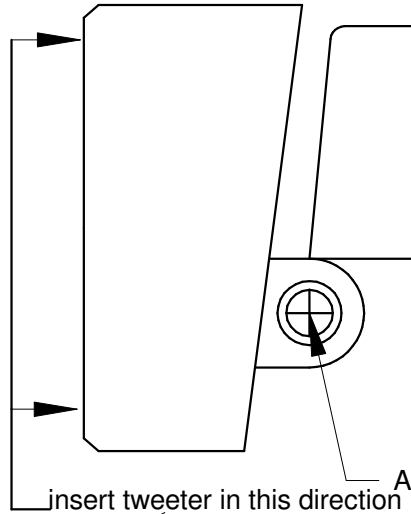
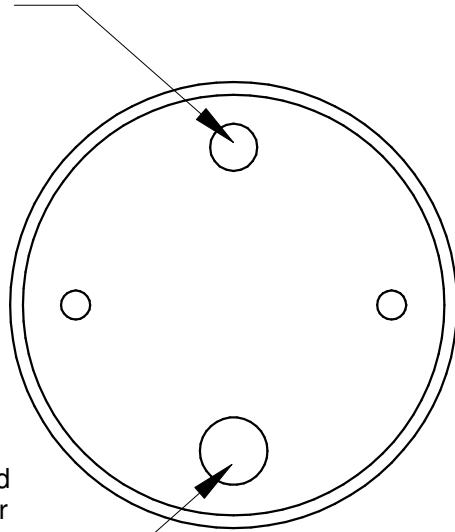


FRONT

SIDE

BACK

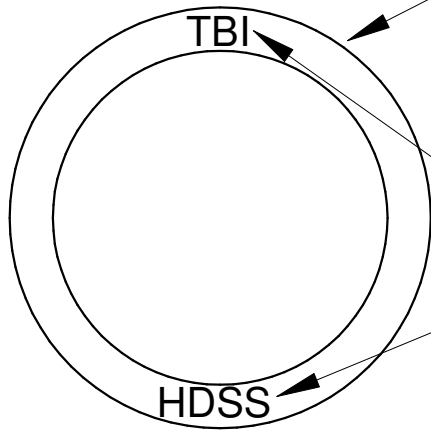


Bracket mounting holes - fold mounted tweeter down to access screw holes. Use included sheet metal screws or other appropriate fastener.

Small Hole - Black
Remove plastic cover from terminal before inserting the wire. Connect wire to - terminal before pressing tweeter into adapter. .

Large Hole + Red
Remove plastic cover from terminal before inserting the wire. Connect wire to + terminal before pressing tweeter into adapter.

SURFACE MOUNT VARIABLE ANGLE ADAPTER



Position Logos In Vertical Position
Terminals must be located in deep portion of adapter

*Remove the clear plastic insulation from the speaker leads when using this adapter. Wires will not fit through the holes provided and terminals need the extra depth for tweeter to fit completely into adapter.

Once tweeter is in the proper position tighten the adjustment screw to secure it.